

RL 484 TR

RL 484 TR-E

RL 534 TR

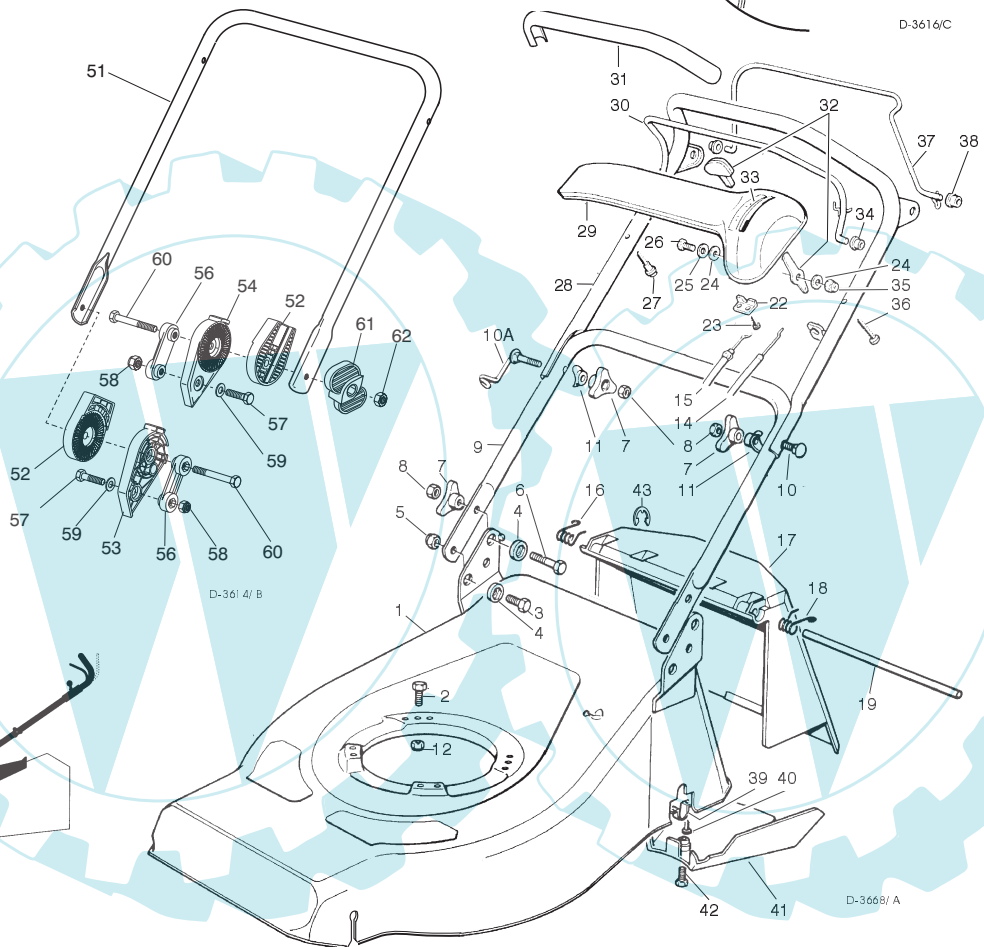
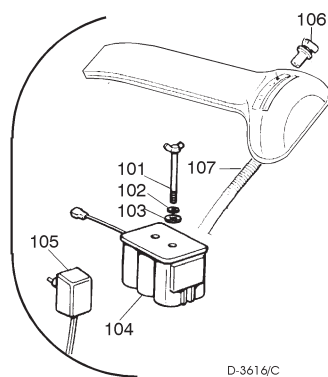
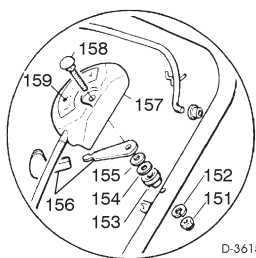
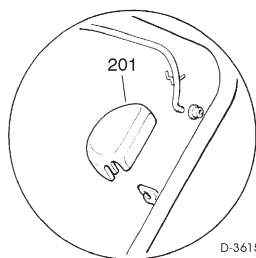
RL 534 TR-E

CHASSIS
MANICO
COMANDI
DOTAZIONE VITERIE

DECK
HANDLE
CONTROLS
SCREWS OUTFITS

CHÂSSIS
MANCHERON
COMMANDES
DOTATION VISSERIE

GEHÄUSE
HOLM
BETÄTIGUNGEN
SCRAUBENSATZ



SPARE PARTS CATALOGUE

GB

CATALOGO DELLE PARTI
DI RICAMBIO

I

ERSATZTEILKATALOG

D


CATALOGUE DES PIÈCES
DE RECHANGE

F

T-3668/A

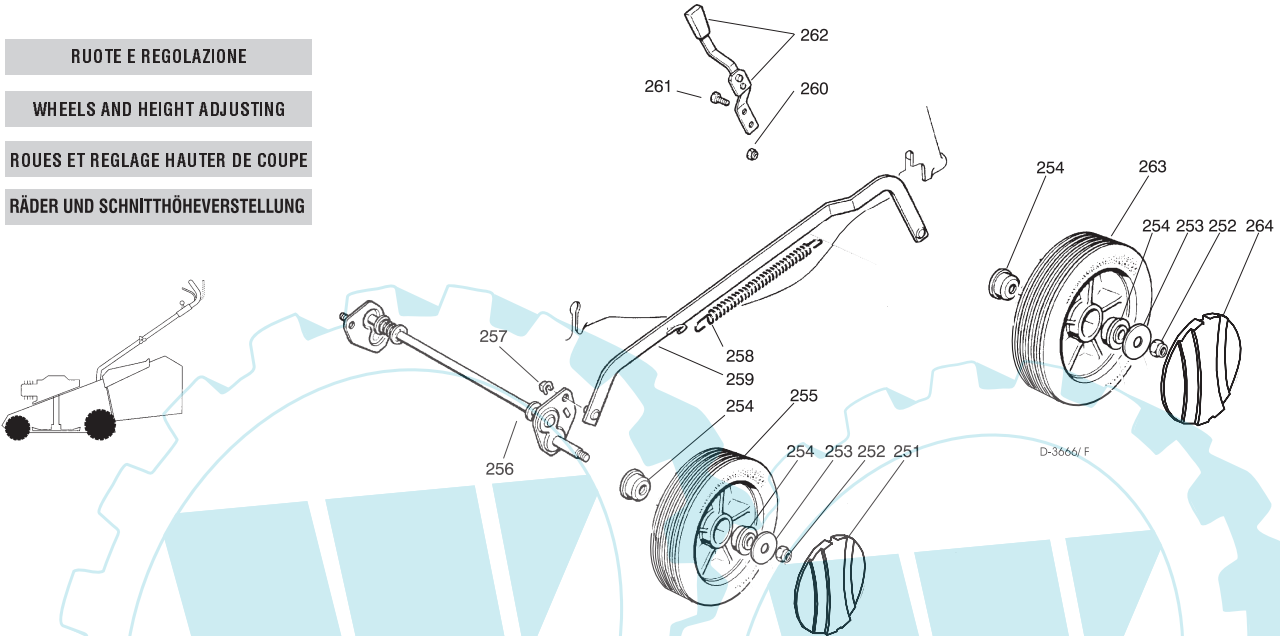
Pos. Nr.	Code Code Kodex	Q.tà Q.ty-Q.tè Menge	Descrizione	Description D-3668/A	Description	Beschreibung
1			CHASSIS	DECK	CHÂSSIS	GEHÄUSE
—	81001636/ 0	1	ROSSO RL 484 TR	RED RL 484 TR	ROUGE RL 484 TR	ROTES RL 484 TR
—	81001637/ 0	1	GIALLO RL 484 TR	YELLOW RL 484 TR	JAUNE RL 484 TR	GELBES RL 484 TR
—	81001638/ 0	1	VERDE RL 484 TR	GREEN RL 484 TR	VERT RL 484 TR	GRÜNES RL 484 TR
—	81001660/ 0	1	ROSSO RL 484 TR-E	RED RL 484 TR-E	ROUGE RL 484 TR-E	ROTES RL 484 TR-E
—	81001661/ 0	1	GIALLO RL 484 TR-E	YELLOW RL 484 TR-E	JAUNE RL 484 TR-E	GELBES RL 484 TR-E
—	81001662/ 0	1	VERDE RL 484 TR-E	GREEN RL 484 TR-E	VERT RL 484 TR-E	GRÜNES RL 484 TR-E
—	81001729/ 0	1	ROSSO RL 534 TR	RED RL 534 TR	ROUGE RL 534 TR	ROTES RL 534 TR
—	81001730/ 0	1	GIALLO RL 534 TR	YELLOW RL 534 TR	JAUNE RL 534 TR	GELBES RL 534 TR
—	81001731/ 0	1	VERDE RL 534 TR	GREEN RL 534 TR	VERT RL 534 TR	GRÜNES RL 534 TR
—	81001732/ 0	1	ROSSO RL 534 TR-E	RED RL 534 TR-E	ROUGE RL 534 TR-E	ROTES RL 534 TR-E
—	81001733/ 0	1	GIALLO RL 534 TR-E	YELLOW RL 534 TR-E	JAUNE RL 534 TR-E	GELBES RL 534 TR-E
—	81001734/ 0	1	VERDE RL 534 TR-E	GREEN RL 534 TR-E	VERT RL 534 TR-E	GRÜNES RL 534 TR-E
3	12792610/ 0	2	VITE	SCREW	VIS	SCHRAUBE
4	22041955/ 0	4	BUSSOLA	BUSH	DOUILLE	BUCHSE
5	12155000/ 0	2	DADO	NUT	ECROU	MUTTER
6	12793700/ 0	2	VITE	SCREW	VIS	SCHRAUBE
7	22399900/ 0	4	MANOPOLINA	KNOB	POIGNÉE	GRIF
8	12293200/ 0	4	DADO	NUT	ECROU	MUTTER
9	81006512/ 0	1	PARTE INF. MANICO	LOWER HANDLE	PARTIE INF. MANCHERON	UNTERHOLM
10	12819201/ 0	1	VITE	SCREW	VIS	SCHRAUBE
10A	81003801/ 0	1	MOLLA GUIDA	SPRING	RESSORT	FEDER

Pos. Nr.	Codice Code Kodex	Q.tà Q.ty-Q.tè Menge	Descrizione	Description	Description	Beschreibung	
11	22680006/ 1	2	RONDELLA	WASHER	RONDELLE	SCHEIBE	
12	12293201/ 0	3/ 2	DADO	NUT	ECROU	MUTTER	
—	12155000/ 0	0/ 1	DADO	NUT	ECROU	MUTTER	
14	81007160/ 0	1	CAVO ACCELERATORE	THROTTLE CABLE	CABLE ACCELERATEUR	BESCHLEUNIGER KABEL	
15	81000623/ 1	1	CAVO FRENO MOTORE	THREAD MOTOR BRAKE	CABLE FREIN MOTEUR	MOTORBREMSEKABEL	
—	81000623/ 1	1	R 484 (TECUMSEH)	R 484 (TECUMSEH)	R 484 (TECUMSEH)	R 484 (TECUMSEH)	
—	81000631/ 0	1	R 484 (QUANTUM XM-ES 40)	R 484 (QUANTUM XM-ES 40)	R 484 (QUANTUM XM-ES 40)	R 484 (QUANTUM XM-ES 40)	
—	81000625/ 0	1	R 484 (SPRINT 375/ QUATTRO)	R 484 (SPRINT 375/ QUATTRO)	R 484 (SPRINT 375/ QUATTRO)	R 484 (SPRINT 375/ QUATTRO)	
—	81000641/ 0	1	R 484 (HONDA GCV 135/ 160)	R 484 (HONDA GCV 135/ 160)	R 484 (HONDA GCV 135/ 160)	R 484 (HONDA GCV 135/ 160)	
—	81000642/ 0	1	R 534 (QUANTUM XM-ES 40)	R 534 (QUANTUM XM-ES 40)	R 534 (QUANTUM XM-ES 40)	R 534 (QUANTUM XM-ES 40)	
—	81000643/ 0	1	R 534 (SPRINT 375/ QUATTRO)	R 534 (SPRINT 375/ QUATTRO)	R 534 (SPRINT 375/ QUATTRO)	R 534 (SPRINT 375/ QUATTRO)	
—	81000644/ 0	1	R 534 (TECUMSEH)	R 534 (TECUMSEH)	R 534 (TECUMSEH)	R 534 (TECUMSEH)	
—	81000640/ 0	1	R 534 (HONDA GCV 135/ 160)	R 534 (HONDA GCV 135/ 160)	R 534 (HONDA GCV 135/ 160)	R 534 (HONDA GCV 135/ 160)	
16	22450410/ 1	1	MOLLA DX	RIGHT SPRING	RESSORT DROITE	RECHTE FEDER	
17	22600028/ 4	1	PARASASSI	STONE-GUARD	PARE-PIERRES	PRALLBLECH	
18	22450420/ 1	1	MOLLA SX	LEFT SPRING	RESSORT GAUCHE	LINKE FEDER	
19	22517906/ 1	1	PERNO	PIN	PIVOT	BOLZEN	
22	22981467/ 0	1	PIASTRINA	PLAQUE	PLAQUETTE	PLATTE	
23	12735105/ 0	2	VITE	SCREW	VIS	SCHRAUBE	
24	12523040/ 0	2	RONDELLA	WASHER	RONDELLE	SCHEIBE	
25	12530060/ 0	1	RONDELLA ELASTICA	SPRING WASHER	RONDELLE ELASTIQUE	ELASTISCHE SCHEIBE	
26	12791500/ 0	1	VITE	SCREW	VIS	SCHRAUBE	
27	22943006/ 0	1	VITE	SCREW	VIS	SCHRAUBE	
28	81007024/ 0	1	PORTE SUP. MANICO	UPPER HANDLE	PARTIE SUP. MANCHERON	OBERHOLM	
29	22120154/ 0	1	CRUSCOTTO	DASH BOARD	CONSOLE	KONSOLE	
—	22120152/ 0	1	ROSSO	RED	ROUGE	ROTE	
—	22120158/ 0	1	GIALLO	YELLOW	JAUNE	GELBE	
—	22120158/ 0	1	NERO	BLACK	NOIRE	SCHWARZE	
30	81003291/ 2	1	LEVA FRENO MOTORE	BRAKE LEVER	LEVIER FREIN MOTEUR	MOTORBREMSEHEBEL	
31	22291050/ 0	1	IMPUGNATURA MANICO	HANDGRIP	POIGNÉE	HANDGRIFF	
—	22291051/ 0	1	NERA	BLACK	NOIRE	SCHWARZER	
—	22291052/ 0	1	ROSSA	RED	ROUGE	RÖTER	
—	22291052/ 0	1	GIALLA	YELLOW	JAUNE	GELBER	
32	81007280/ 2	1	ASS. LEVA + MANOPOLINA	LEVER + KNOB ASS. Y	ENS. LEVIER + POIGNÉE	HEBEL + GRIFF SATZ	
33	14356743/ 0	1	ETICHETTA (TECUMSEH-HONDA)	LABEL (TECUMSEH-HONDA)	ETIQUETTE (TECUMSEH-HONDA)	ETIKETTE (TECUMSEH-HONDA)	
—	14356744/ 0	1	(B&S)	(B&S)	(B&S)	(B&S)	
34	22041966/ 0	1	BOCCOLA	BUSH	DOUILLE	BUCHSE	
35	12154510/ 0	1	DADO	NUT	ECROU	MUTTER	
36	12728460/ 0	1	VITE	SCREW	VIS	SCHRAUBE	
37	81003288/ 1	1	LEVA TRAZIONE	DRIVING LEVER	LEVIER TRACTION	ANTRIEBHEBEL	
38	22041965/ 0	2	BOCCOLA	BUSH	DOUILLE	BUCHSE	
39	22545152/ 0	2	PIASTRINA	PLAQUE	PLAQUETTE	PLATTE	
40	12731350/ 0	4	VITE	SCREW	VIS	SCHRAUBE	
41	22060180/ 0	1	CARTER (R 484)	BELT PROTECTION (R 484)	PROTECTION COURROIRE (R 484)	RIEMENSCHUTZ (R 484)	
—	22060193/ 0	1	(R 534)	(R 534)	(R 534)	(R 534)	
42	12727791/ 0	1	VITE	SCREW	VIS	SCHRAUBE	
43	12000930/ 0	1	ANELLO ELASTICO	SNAP RING	ANNEAU RESSORT	SPRENGRING	
—	81008614/ 1		DOTAZIONE VITERIA	SCREWS OUTFIT	DOTATION VISSERIE	SCHRAUBEN SATZ	
—	81008609/ 0		DOTAZIONE CRUSCOTTO	DASH-BOARD OUTFIT	DOTATION CONSOLE	KONSOLE SATZ	
			VARIANTE REGOLAZIONE MANICO	HANDLE ADJUSTMENT VARIANT	VARIANTE REGLAGE POIGNEE	GRIFFEINTELLVARIANTE	
T-3615/ B	51	81006510/ 0	1	PORTE INFR. MANICO	LOWER HANDLE	PARTIE INF. MANCHERON	UNTERHOLM
	52	22785081/ 0	2	SUPPORTO ESTERNO	EXTERNAL SUPPORT	SUPPORT EXTERNE	AUßERE HALTERUNG
	53	22785082/ 0	1	SUPPORTO INTERNO DX	R. INTERNAL SUPPORT	SUPPORT INTERNE DROIT	INNERE HALTERUNG RECHTS
	54	22785083/ 1	1	SUPPORTO INTERNO SX	L. INTERNAL SUPPORT	SUPPORT INTERNE GAUCHE	INNERE HALTERUNG LINKS
	56	22551575/ 0	2	PIASTRINA INTERNA	INSIDE PLAQUE	PLAQUETTE INTERNE	INNERE PLATTE
	57	12793701/ 0	2	VITE	SCREW	VIS	SCHRAUBE
	58	12155000/ 0	2	DADO	NUT	ECROU	MUTTER
	59	12521350/ 0	2	RONDELLA	WASHER	RONDELLE	SCHEIBE
	60	12691810/ 0	2	VITE	SCREW	VIS	SCHRAUBE
	61	22399803/ 0	2	MANOPOLINA	KNOB	POIGNÉE	GRIFF
	62	12293202/ 0	2	DADO	NUT	ECROU	MUTTER
	—	81008623/ 0	1	DOTAZ. VITERIA	SCREWS OUTFIT	DOTATION VISSERIE	SCHRAUBEN SATZ
			VARIANTI PER AVVIAMENTO ELETTRICO	PARTS FOR ELECTRIC START	COMPOSANTS POUR DÉMARRAGE ÉLECTRIQUE	ELEKTROSTART BESTANDTEILE	
T-3615/ C	101	22517855/ 0	2	PERNO	PIN	PIVOT	BOLZEN
	102	12523000/ 0	2	RONDELLA	WASHER	RONDELLE	SCHEIBE
	103	12540020/ 0	2	RONDELLA	WASHER	RONDELLE	SCHEIBE
	104	18120050/ 0	1	BATTERIA	BATTERY	BATTERIE	BATTERIE
	105	18204110/ 0	1	CARICA BATTERIA	BATTERY CHARGER	CHARGEUR DE BATTERIE	LADGERÄT
	106	18450050/ 0	1	INTERRUPTORE	SWITCH	INTERRUPTEUR	SCHALTER
	107	18204190/ 2	1	CAVO AVVIAMENTO	START CABLE	CABLE DÉMARRAGE	STARTKABEL
			VARIANTE ACCELERATORE	THROTTLE VARIANTS	VARIANTES COMMANDE D'ACCELERATION	ÄNDERUNGEN AUF GASHEBEL	
T-3615/ D	151	12291000/ 0	1	DADO	NUT	ECROU	MUTTER
	152	12581500/ 0	1	GROWER	GROWER	GROWER	FEDERRING
	153	22171005/ 0	1	DISTANZIALE	SPACER	ENTRETOISE	DISTANZRING
	154	12521360/ 0	1	RONDELLA	WASHER	RONDELLE	SCHEIBE
	155	12508100/ 0	1	RONDELLA ELASTICA	SPRING WASHER	RONDELLE ELASTIQUE	ELASTISCHE SCHEIBE





Pos. Nr.	Codice Code Kodex	Q.tà Q.ty-Q.tè Menge	Descrizione	Description	Description	Beschreibung
156	81007279/ 1	1	ASS. LEVA+MANOPOLINA	LEVER+KNOB ASS.Y	ENS. LEVIER+POIGNEE	HEBEL+GRIFF SATZ
157	81007080/ 0	1	ASSIEME ACCELERATORE	TROTTLER UNIT ASS.Y	ENS. ACCELERATEUR	BESCHLEUNIGER SATZ
158	12815000/ 0	1	VITE	SCREW	VIS	SCHRAUBE
159			ETICHETTA	LABEL	ETIQUETTE	ETIKETTE
—	14356702/ 0	1	(TECUMSEH-HONDA)	(TECUMSEH-HONDA)	(TECUMSEH-HONDA)	(TECUMSEH-HONDA)
—	14356703/ 0	1	(B&S)	(B&S)	(B&S)	(B&S)
			VARIANTE REGIME FISSO	FIXED SPEED VARIANTS	VARIANTES POUR MODÈLE À REGIME FIXE	ÄNDERUNGEN FÜR MODELLE MIT FIXIERTER DREHZAHL
201	22601000/ 0		PROTEZIONE	PROTECTION	PROTECTION	SCHUTZ

T-3615/ E

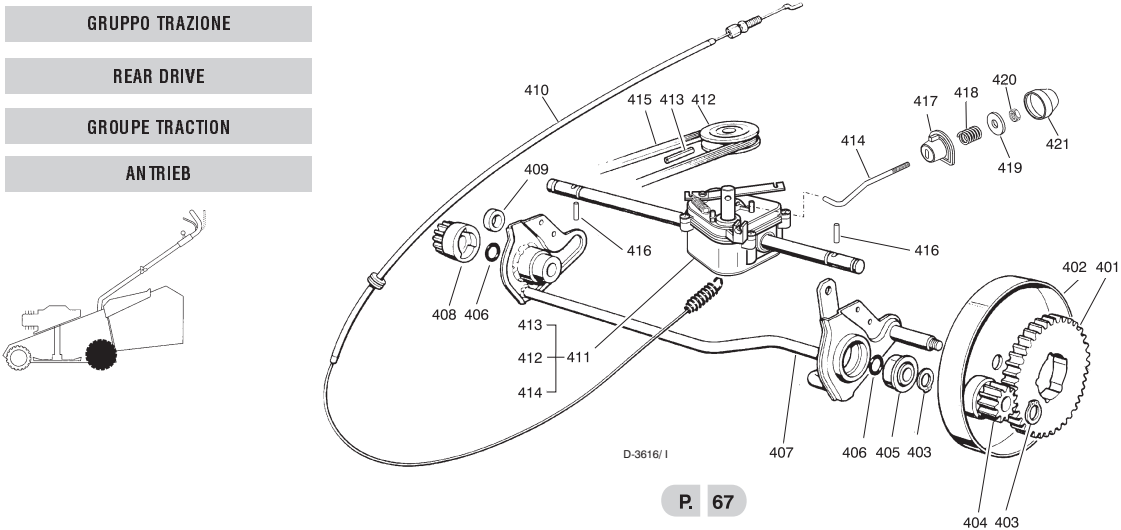
- RUOTE E REGOLAZIONE**
- WHEELS AND HEIGHT ADJUSTING**
- ROUES ET REGLAGE HAUTER DE COUPE**
- RÄDER UND SCHNITTHÖHEVERSTELLUNG**



T-3666/ F

251			COPRIMOZZO	HUB CAP	COUVRE-MOYEU	RADKAPPE
—	22110252/ 0	2	BIANCO	WHITE	BLANC	WEIßE
—	22110254/ 0	2	GIALLO	YELLOW	JAUNE	GELBE
—	22110255/ 0	2	ROSSO	RED	ROUGE	ROTE
252	12155000/ 0	4	DADO	NUT	ECROU	MUTTER
253	12523060/ 0	4	RONDELLA	WASHER	RONDELLE	SCHEIBE
254	22034508/ 0	4	BOCCOLA	BUSH	DOUILLE	BUCHSE
255	81007326/ 0	2	RUOTA Ø 170	WHEEL Ø 170	ROUE Ø 170	RAD Ø 170
256			ASSE RUOTE ANTERIORE	FRONT WHEELS AXLE	AXE ROUES AVANT	VORDERRADACHSE
—	81001250/ 0	1	(RL 484)	(RL 484)	(RL 484)	(RL 484)
—	81001223/ 0	1	(RL 534)	(RL 534)	(RL 534)	(RL 534)
257	12436050/ 0	2	PIASTRINA	PLATE	PLAQUETTE	PLÄTTCHEN
258	22446180/ 0	1	MOLLA	SPRING	RESSORT	FEDER
259			ASTA	ROD	TIGE	STANGE
—	81001246/ 1	1	(RL 484)	(RL 484)	(RL 484)	(RL 484)
—	81001264/ 0	1	(RL 534)	(RL 534)	(RL 534)	(RL 534)
260	12154330/ 0	2	DADO	NUT	ECROU	MUTTER
261	12789000/ 0	2	VITE	SCREW	VIS	SCHRAUBE
262	81003279/ 2	1	LEVA REGOLAZIONE	ADJUSTMENT LEVER	LEVIER REGLAGE	VERSTELLUNGHEBEL
263	81007328/ 0	2	RUOTA Ø 210	WHEEL Ø 210	ROUE Ø 210	RAD Ø 210
264			COPRIMOZZO	HUB CAP	COUVRE-MOYEU	RADKAPPE
—	22110265/ 0	2	BIANCO	WHITE	BLANC	WEIßE
—	22110266/ 0	2	GIALLO	YELLOW	JAUNE	GELBE
—	22110267/ 0	2	ROSSO	RED	ROUGE	ROTE

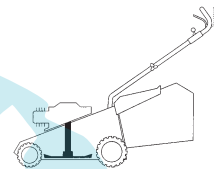
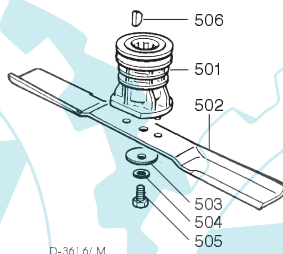
- GRUPPO TRAZIONE**
- REAR DRIVE**
- GROUPE TRACTION**
- ANTRIEB**



T-3628/ I

Pos. Nr.	Codice Code Kodex	Q.tà Q.ty-Q.tè Menge	Descrizione	Description	Description	Beschreibung
401	22120105/ 1	2	CORONA	RING GEAR	COURONNE	KRANZ
402	81006846/ 0	2	PROTEZIONE RUOTE	WHEEL GUARD	PROTECTION ROUE	RÄDERSCHUTZ
403	12608600/ 0	4	SEEGER	SEEGER	SEEGER	SEEGER
404	22570120/ 0	1	PIGNONE SINISTRO	LEF T PINION	PIGNON GAUCHE	LINKES RITZEL
405	22122200/ 0	2	CUSCINETTO	BEARING	COUSSINET	LAGER
406	12019900/ 0	2	ANELLO OR	OR RING	BAGUE OR	RING OR
407	81001252/ 1	1	ASSE RUOTE POSTERIORE	REAR WHEELS AXLE	AXE ROUES ARRIERE	HINTERRADACHSE
408	22570110/ 0	1	PIGNONE DESTRO	RIGHT PINION	PIGNON DROITE	RECHTES RITZEL
409	22170800/ 0	1	DISTANZIALE	SPACER	ENTRETOISE	DISTANZRING
410	81001143/ 0	1	ASS. COMANDO TRAZIONE	REAR DRIVE ASS.Y	ENS. COMMANDE TRACTION	ANTRIEBKABEL
411	81003059/ 0	1	ASS. GRUPPO TRAZIONE (PLASTICA)	GEAR BOX ASS.Y (PLASTIC)	ENS. GROUPE TRACTION (PLASTIQUE)	ANTRIEBSATZ (KUNSTSTOFF)
—	81003060/ 0	1	(ALLUMINIO)	(ALUMINIUM)	(ALUMINIUM)	(ALUMINIUM)
412	22601904/ 0	1	PULEGGIA 4 KM/ H	PULLEY 4 KM/ H	POULIE 4 KM/ H	RIEMENSCHLEIBE 4 KM/ H
413	12645705/ 0	1	SPINA	PIN	GOUPILLE	STIFT
414	22033280/ 0	1	ASTA REGOLAZIONE	ADJUSTMENT ROD	TIGE REGLAGE	VERSTELLUNGSTANGE
415	35063800/ 0	1	CINGHIA	BELT	COURROIE	RIEMEN
—	35063800/ 0	1	Z 27 (RL 484)	Z 27 (RL 484)	Z 27 (RL 484)	Z 27 (RL 484)
—	35063902/ 0	1	Z 29.5 (RL 534)	Z 29.5 (RL 534)	Z 29.5 (RL 534)	Z 29.5 (RL 534)
416	22753000/ 0	2	SPINA	PIN	GOUPILLE	STIFT
417	22041957/ 0	1	BUSSOLA	BUSH	DOUILLE	BUCHSE
418	22450063/ 0	1	MOLLA	SPRING	RESSORT	FEDER
419	22680009/ 0	1	RONDELLA	WASHER	RONDELLE	SCHEIBE
420	12154510/ 0	1	DADO	NUT	ECROU	MUTTER
421	22110230/ 0	1	TAPPO	CAP	BOUCHON	GUMMISTOPFEN

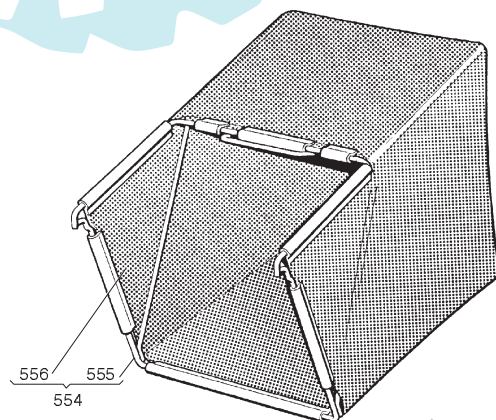
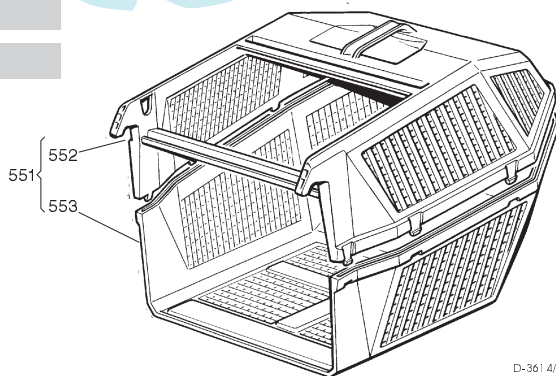
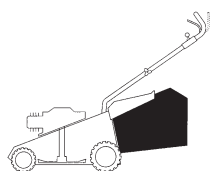
- GRUPPO COLTELLO
- BLADE ASS.Y
- GROUPE LAME
- MESSERSATZ



T-3628/ M

501	22465607/ 0	1	MOZZO CON PULEGGIA	HUB WITH PULLEY	MOYEU AVEC POULIE	NABE MIT SCHEIBE
502	81004346/ 2	1	COLTELLO	BLADE	LAME	MESSER
—	81004397/ 0	1	STANDARD 46 cm	STANDARD 46 cm	STANDARD 46 cm	STANDARD 46 cm
—	81004381/ 0	1	ALETTATO 46 cm	WNGED 46 cm	AILETTÉE 46 cm	FLÜGEL 46 cm
—	81004398/ 0	1	STANDARD 51 cm	STANDARD 51 cm	STANDARD 51 cm	STANDARD 51 cm
—	81004398/ 0	1	ALETTATO 51 cm	WNGED 51 cm	AILETTÉE 51 cm	FLÜGEL 51 cm
503	22160400/ 0	1	RONDELLA ELASTICA	SPRING WASHER	RONDELLE ELASTIQUE	ELASTISCHE SCHEIBE
504	12523080/ 0	1	RONDELLA	WASHER	RONDELLE	SCHEIBE
505	12735698/ 0	1	VITE	SCREW	VIS	SCHRAUBE
506	12139100/ 0	1	LINGUETTA	FEATHER	CLAVETTE	KEIL

- SACCO RACCOGLIERBA
- GRASS-CATCHER
- BAC DE RAMASSAGE
- GRASFANGKORB



T-3614/ N

551	98005000/ 1	1	SACCO COMPLETO	COMPLETE GRASS-BOX	SAC COMPLET	KOMPLETTER KORB
552	22486076/ 0	1	PORTE SUP. SACCO	UPPER GRASS BOX	PARTIE SUP. SAC	OBERKORB
553	22486077/ 0	1	PORTE INF. SACCO	LOWER GRASS BOX	PARTIE INF. SAC	UNTERKORB
554	98004000/ 0	1	ASS. SACCO IN TELA	CANVASS GRASSCATCHER	ENSEMBLE SAC EN TOILE	KOMPLETTER SACK
555	81006408/ 0	1	TELAIO	CHASSIS	CHÂSSIS	RAHMEN
556	81002105/ 2	1	TELA SACCO	FABRIC BOX	TOILE POUR SAC	TUCK FÜR SACK